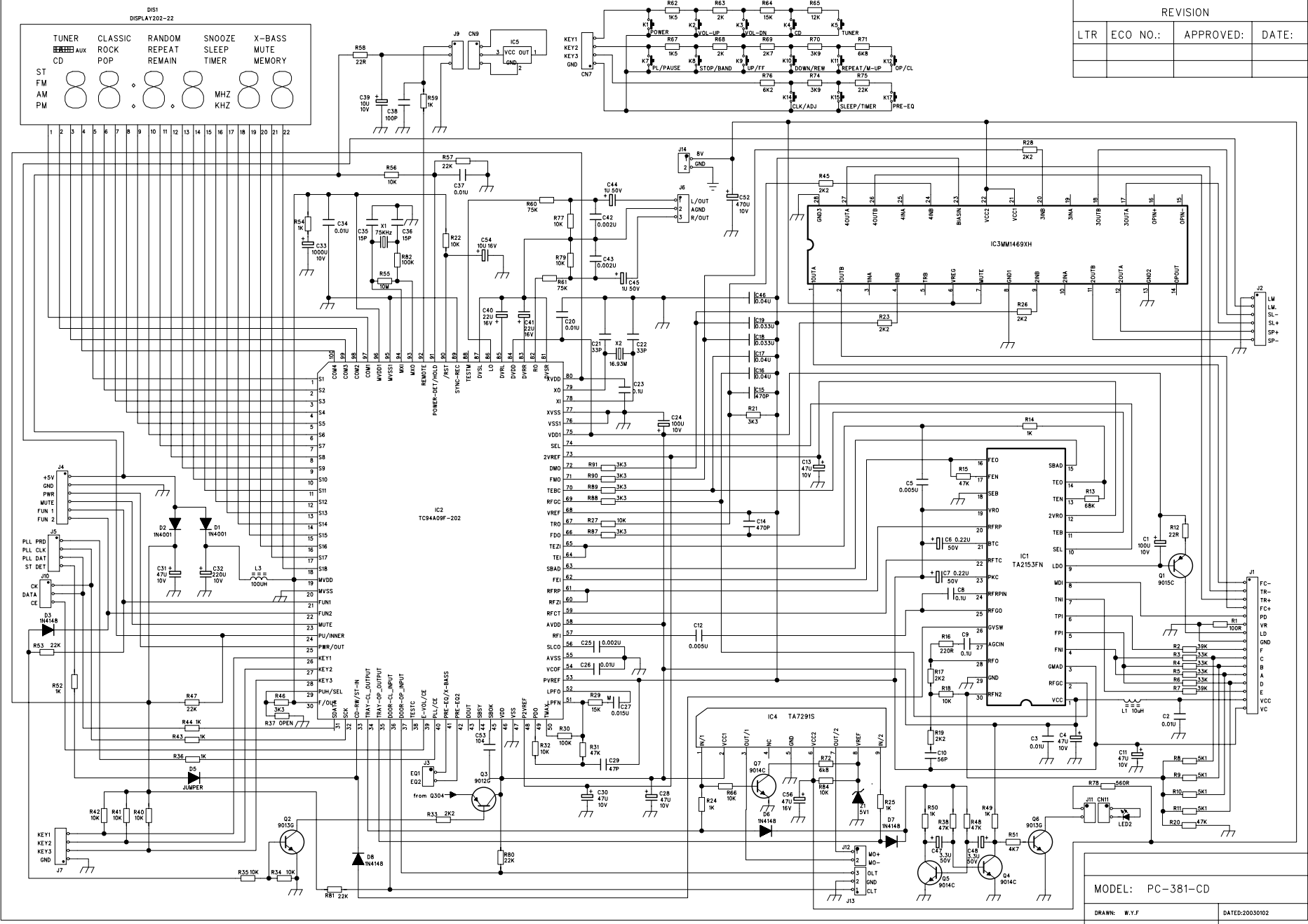
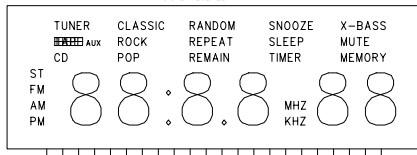


REVISION

|     |          |           |       |
|-----|----------|-----------|-------|
| LTR | ECO NO.: | APPROVED: | DATE: |
|     |          |           |       |

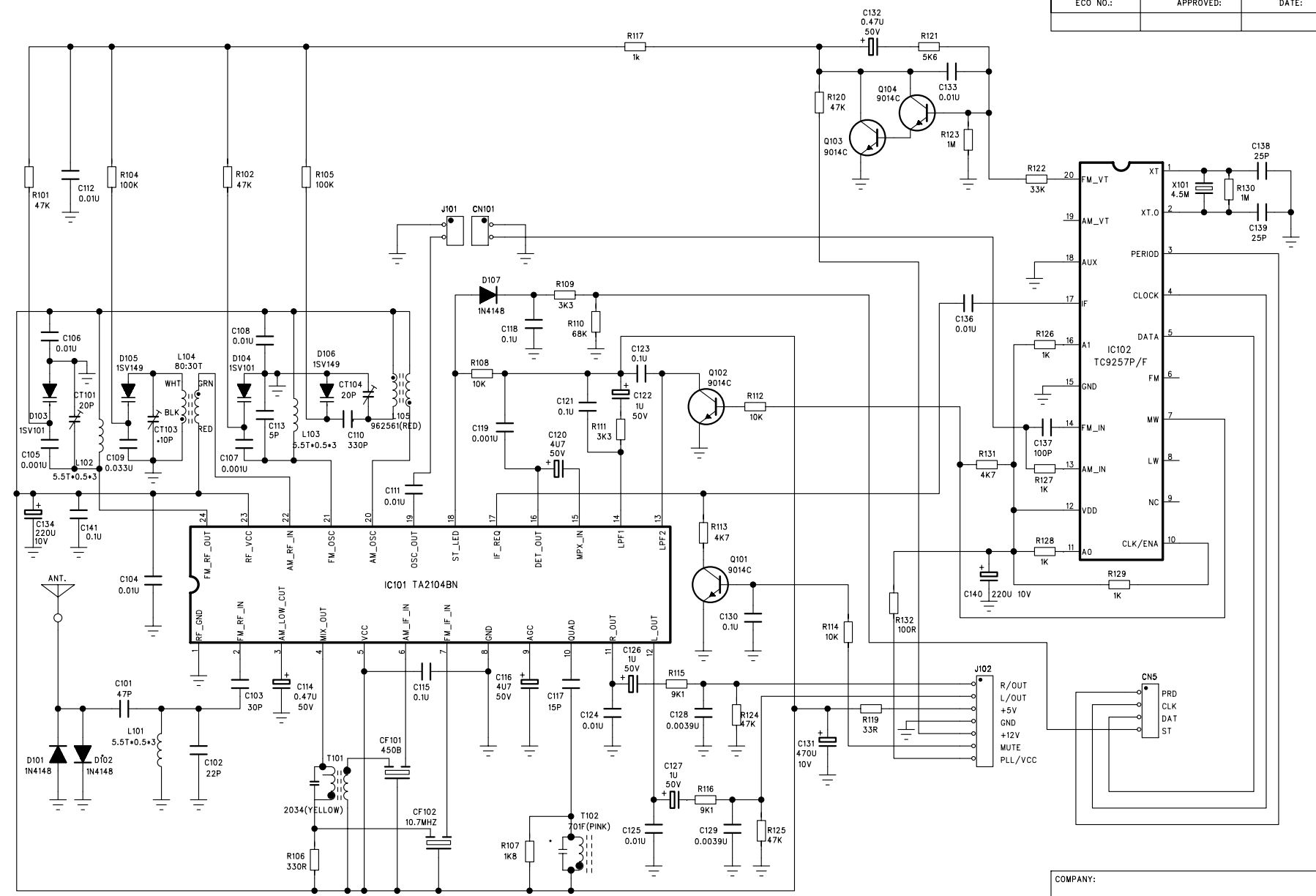


MODEL: PC-381-CD

DRAWN: W.Y.F

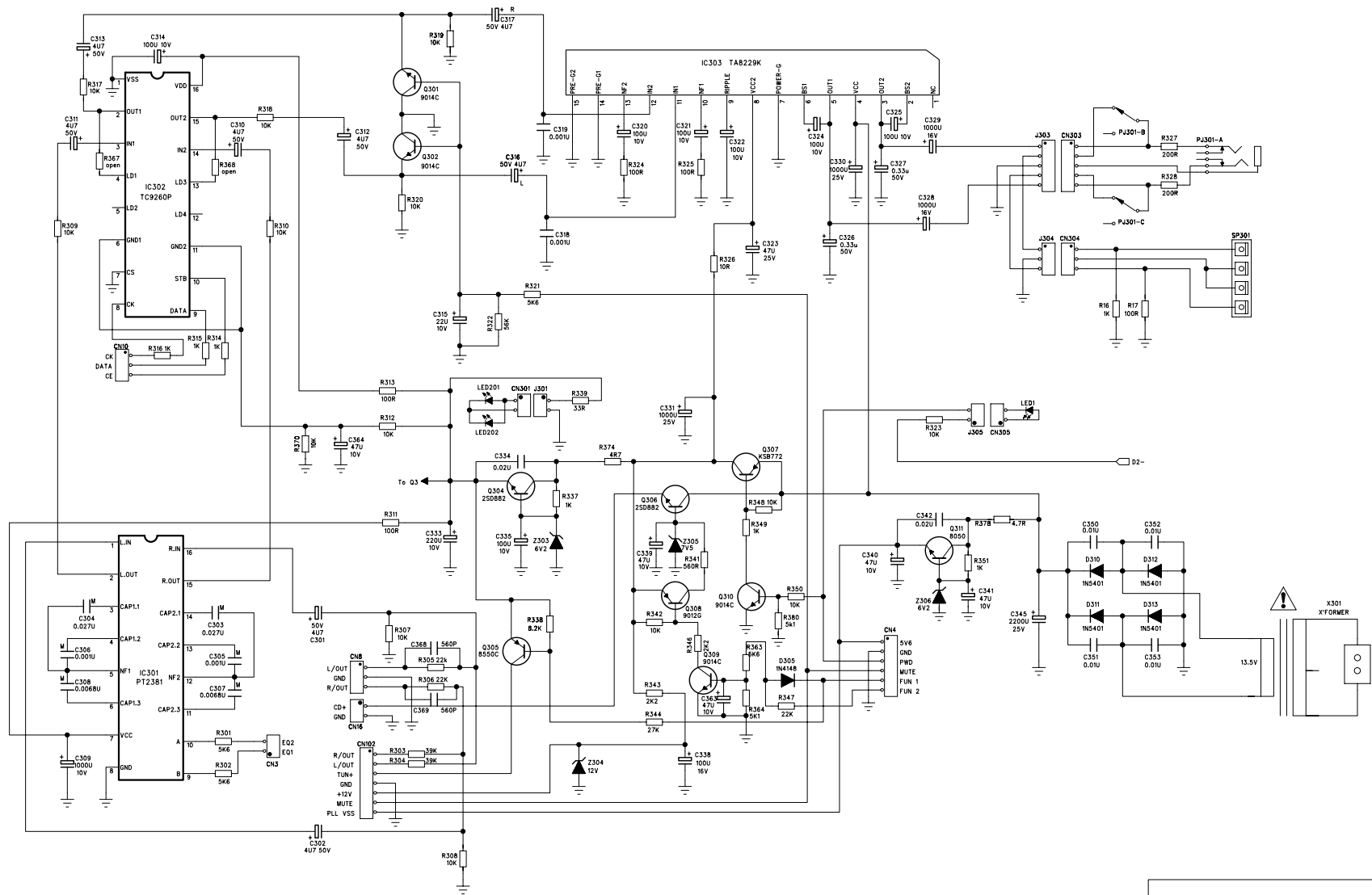
DATED:20030102

| REVISION RECORD : |           |       |
|-------------------|-----------|-------|
| ECO NO.:          | APPROVED: | DATE: |
|                   |           |       |



|           |               |            |
|-----------|---------------|------------|
| COMPANY:  |               |            |
| DRAWN BY: | DATE:20030115 | MODEL NO.: |
| W.Y.F     |               | PC-381-2B  |

| REVISION |          |           |       |
|----------|----------|-----------|-------|
| LTR      | ECO NO.: | APPROVED: | DATE: |
|          |          |           |       |



|        |           |
|--------|-----------|
| MODEL: | PC-381-PB |
| DRAWN: | W.Y.F     |
| DATED: | 20030115  |

